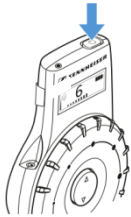
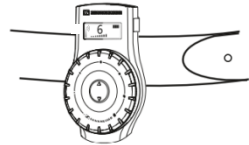
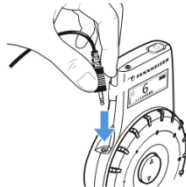


EK 2020-D-II Bodypack Receiver

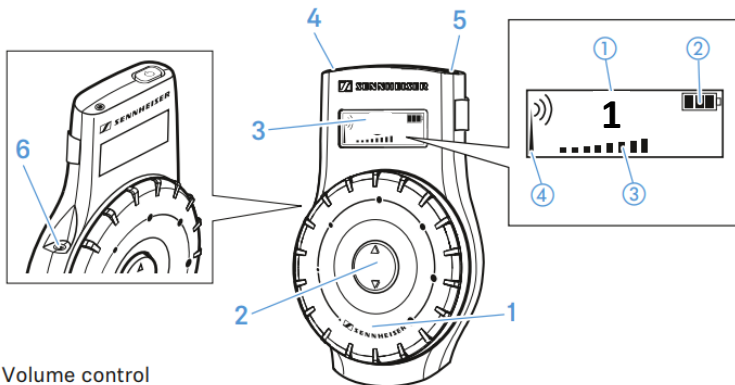
On/Off




Setup



Overview



- 1 Volume control
- 2 Channel selection button ▲/▼
- 3 LC display
- 4 LED for charge status
- 5 ON/OFF button 
- 6 Headphone socket

- ① Channel display
- ② 4-step battery status display
- ③ Volume display
- ④ RF signal indication

Fly DSA arena

1. Plug in earphones or an inductive neck loop to the 3.5 mm audio port on the side of the receiver
2. Switch receiver on using On/Off switch on the top of the device
3. Ensure receiver is on channel 1 by using the channel selection buttons
4. Insert your earphones or connect your hearing aid to the inductive neck loop
5. Adjust the volume up and down using the rotary volume control button to suit your own needs
 - Please note audio may not be present until the event begins
 - If you need any assistance, please return to the information point on green concourse or speak to a steward

Please return your receiver to the information point on green concourse after the event



SENNHEISER