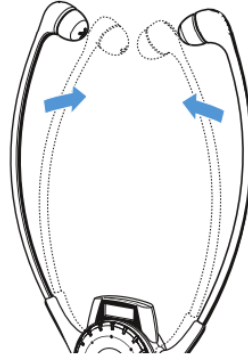
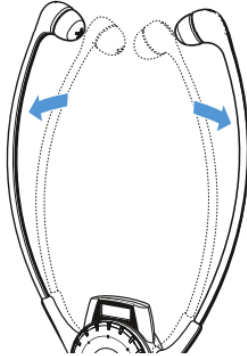


HDE 2020-D Stethoset Receiver

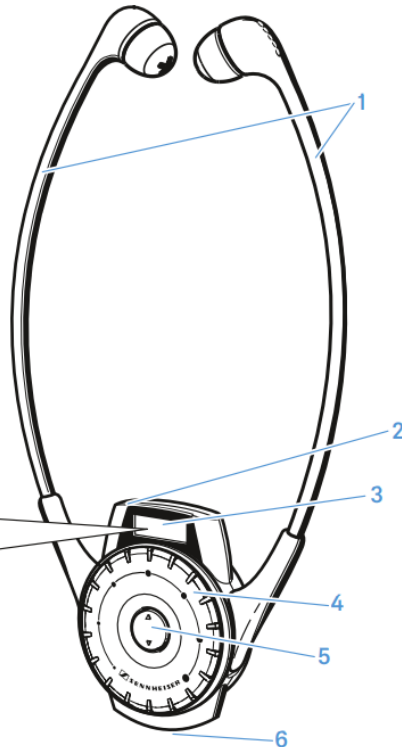
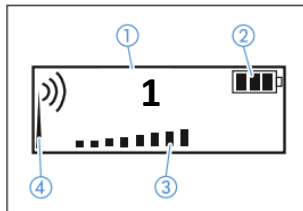
On/Off



Overview

- 1 Earbows
- 2 Red/green LED for charge status
- 3 LC display
- 4 Volume control
- 5 Channel selection button ▲/▼
- 6 Charging contacts

- ① Channel display
- ② 4-step battery status display
- ③ Volume display
- ④ RF signal indication



Fly DSA → arena

1. Switch receiver on by gently pulling the earbows away from each other (as per diagram)
2. Ensure receiver is on channel 1 by using the channel selection buttons
3. Insert earbuds into ears until comfortable
4. Adjust the volume up and down using the rotary volume control button to suit your own needs
 - **Please note audio may not be present until the event begins**
 - **If you need any assistance, please return to the information point on green concourse or speak to a steward**

**Please return your receiver to the
information point on green concourse after
the event**



SENNHEISER